



## Type: BT-0501

## Battery Tester

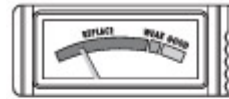
### Main Features

Tests the following battery types

- 1.5V AA/AAA/C/D or Button Cell Dry batteries
- 1.2V AA/AAA/C/D or Button Cell Rechargeable Ni-MH/Ni-Cd
- 9V Rechargeable Ni-MH Ni-Cd or Dry batteries

### The indicator instruction

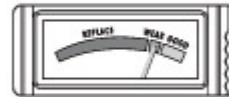
RED POSITION:



This indicates battery is almost exhausted and should be REPLACED or

RECHARGED

immediately



YELLOW POSITION:

This indicates the battery capacity is WEAK and should be replaced or recharged soon

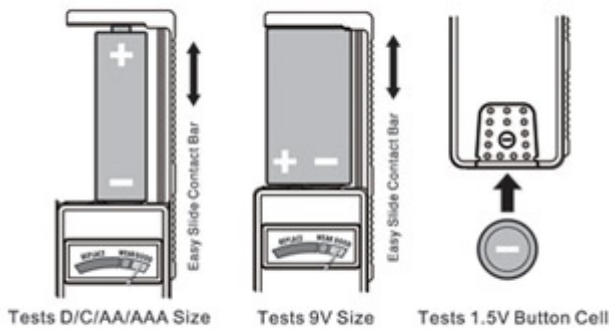


GREEN POSITION:

This indicates the battery condition is GOOD. Since the meter is sensitive to remaining voltage, the further to the right the higher the battery voltage



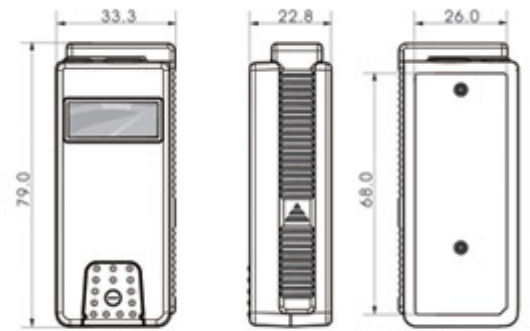
## How To Use



Tests D/C/AA/AAA Size

Tests 9V Size

Tests 1.5V Button Cell



Unit:mm

